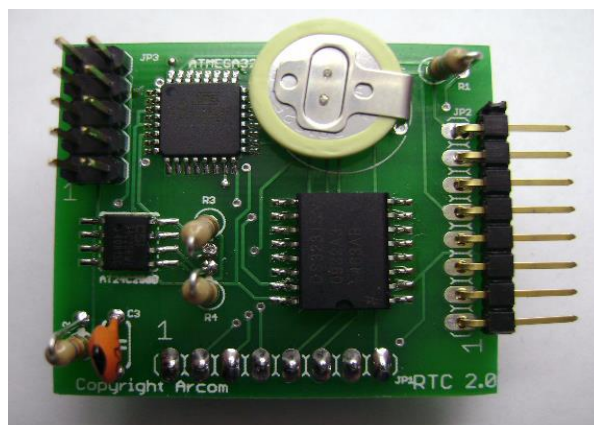




Arcom Communications  
24035 NE Butteville Rd  
Aurora, Oregon 97002  
(503) 678-6182

arcom@arcomcontrollers.com

<https://www.arcomcontrollers.com/>



# ***RTC Real Time Clock Module Manual***

## ***Hardware Revision 4.0***

### ***February 12, 2016***

---

Reproduction or translation of any part of this manual beyond that permitted by sections 107 or 108 of the 1976 United States Copyright Act (or its legal successor) without the express written permission of Arcom Communications is unlawful as noted below. Requests for permission to copy or for further information should be addressed to Arcom Communications. Except as noted above, permission is hereby granted for any non-profit group or individual to reproduce any portion of this document provided that: the reproduction is not sold for profit; the intent of reproduction is to further disseminate information on the RC210 Repeater Controller kit; the reproduction is not used for advertising or otherwise promoting any specific commercial product other than the RC210; and full credit is given to Arcom Communications as the original source of information.

The information contained in the manual has been carefully checked for accuracy and is believed to be entirely reliable. However, no responsibility is assumed for inaccuracies. Arcom Communications reserves the right to make changes in the RC210 Repeater Controller kit to improve reliability, function or design without obligation to purchasers of previous equipment. Arcom Communications does not assume any liability arising out of the application or use of any product or circuit described herein; neither does it convey license under its patent rights or the rights of others.

# Introduction

Congratulations on your purchase of the RTC Real Time Clock Module! The RTC is designed for use with our RC210 Deluxe Repeater Controller and provides a high accuracy Real Time Clock and Calendar (in addition to the Clock/Calendar already included with the RC210,) as well as additional memory space for the RC210.

The RTC measures only 1.5" x 1.3" and mounts directly to the RC210's pc board in seconds.

## Features

- ❑ High accuracy Real Time Clock.
- ❑ Accuracy +/- 2 ppm 0c to +40c, +/- 3.5 ppm -40c to +85c
- ❑ Calendar automatically corrects for Leap Years
- ❑ Provides an additional 30 Remote Base Memories (Memories 11 – 40)
- ❑ Provides an additional 30 Message Macros (Memories 41 – 70)
- ❑ Provides an additional 30 DTMF Memories (Memories 21 – 50)
- ❑ Plugs into RC210 board without using a Radio Port
- ❑ Provides feedthrough signaling for AP1 Intelligent Autopatch
- ❑ Provides an additional 256K of memory for future expansion

## Description Of Features

### Clock And Calendar

The RTC provides extremely accurate realtime clock (RTC) with an integrated temperature compensated crystal oscillator (TCXO) and crystal. The RTC also incorporates its own on-board lithium backup battery and maintains accurate timekeeping when main power is removed from the RC210. The lithium battery life is approximately 10 years.

### Additional Memories

The RTC also provides additional non-volatile storage space that enhances the RC210 operations. 30 additional memories are provided for Remote Base Memories as well as 30 more memories for Memory Macro and DTMF Memories.

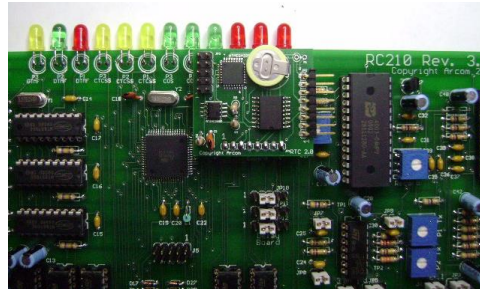
### Future Expansion

There is an additional 256K of non-volatile memory onboard as well, to be used for future expansion of features of the RC210.

**Please note that you must have firmware version 5.281 or later installed in the RC210 in order to use the RTC. If necessary, refer to the RC210 Operations and Programming Manual for directions on how to upgrade the firmware.**

# Connecting The RTC To The RC210

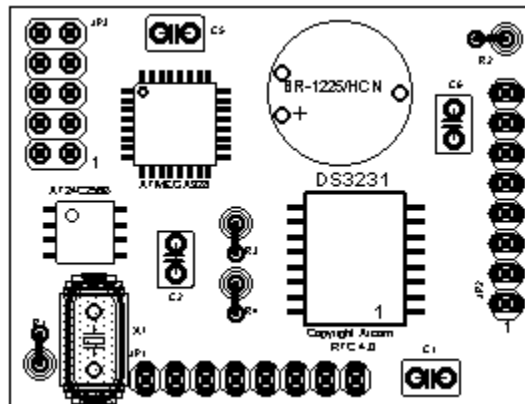
Installation couldn't be simpler. Simply plug the RTC Board Connector (JP1) onto the RC210's I/O Expand 8 pin header. If you have the optional AP1 Intelligent Autopatch, first remove its 8 pin connector from the RC210's I.O Expand Connector. Take care to insure you have it oriented correctly (pin 1 to pin1). When done, it should look like this:



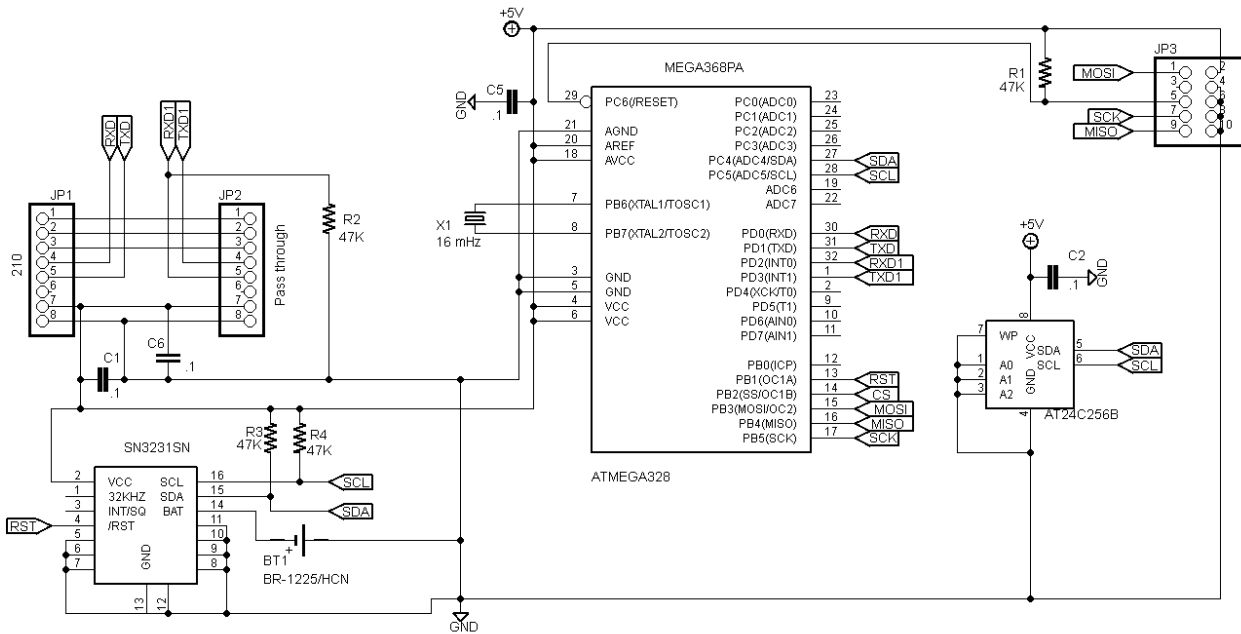
If you have the optional AP1 Intelligent Autopatch, plug its 8 pin connector into the RTC's JP2 connector, taking care to line up pin 1. That's it! Now power up your RC210 and set the clock and calendar (which should be the last time you ever have to do that!)

**NOTE: It's time to replace the battery if you notice the time/date reports as 12 AM on January 1, 0000 after losing power. If you receive a "Clock Not Set" message (this has nothing to do with state of the battery), you may need to clean the contacts. You can do this by powering down the RC210, removing the RTC from its connector and reseating.**

## PC Board Layout



# Schematic



<b>RTC Real Time Clock Module</b>	
TITLE: rtc4_0	
Document Number:	REV: <b>4.0</b>
Date: 8/2/2022 9:01:48 AM	Sheet: 1/1